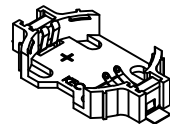
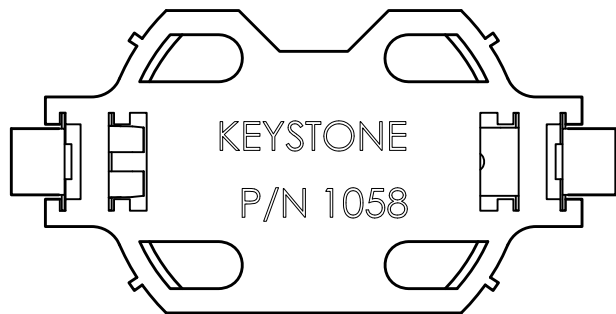
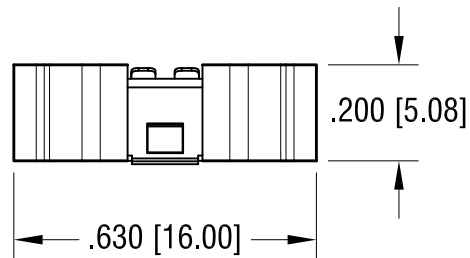
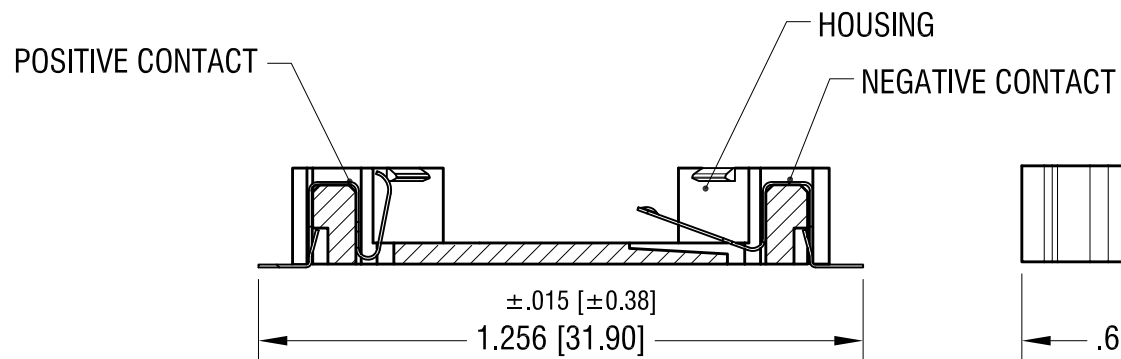
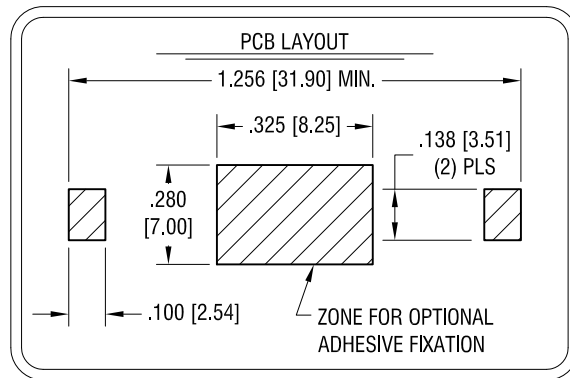
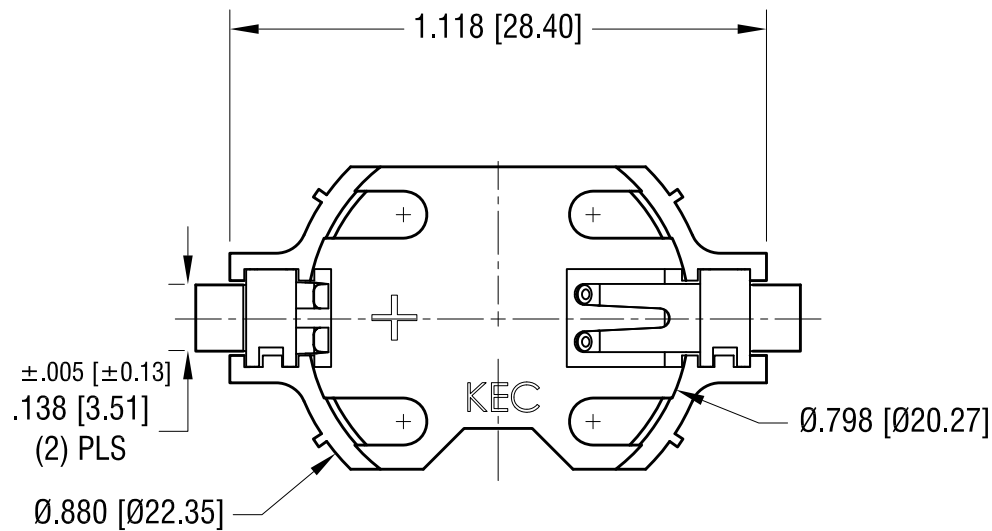


DATE	DESCRIPTION	REV.
7.18.14	CHANGE AS PER ECN 14-072	A
7.24.14	CHANGE AS PER ECN 14-077	B



ACTUAL SIZE

NOTES:

1. BASE:
MAT'L - GLASS FILLED LCP UL 94V-0, TAN COLOR
2. CONTACTS:
MAT'L - .006 [0.15] TH'K PHOSPHOR BRONZE
FINISH: GOLD FLASH PLATING

KEYSTONE ELECTRONICS CORP.			
www.keyelco.com • ASTORIA, N.Y. 11105-2017 • Tel (718) 956-8900			
PART NAME		2032 BATTERY HOLDER, SMT	
MATERIAL		AS NOTED	
FINISH	AS NOTED	DRN BY	NT
		DATE	5.17.13
		APPD	LN
		SCALE	2.5X
TOLERANCES	INCH [MM]	CODE	DWG NO.
DECIMAL	± .010 [± 0.25]	C	1058
ANGULAR	± 1°		
UNLESS OTHERWISE SPECIFIED			

THIS DOCUMENT IS THE PROPERTY OF KEYSTONE ELECTRONICS CORP. AND SHALL NOT BE REPRODUCED, DISTRIBUTED OR USED AS A BASIS FOR MANUFACTURE WITHOUT PRIOR WRITTEN PERMISSION FROM KEYSTONE ELECTRONICS CORP.