



Panel Interface Connectors

Entry Level Switch

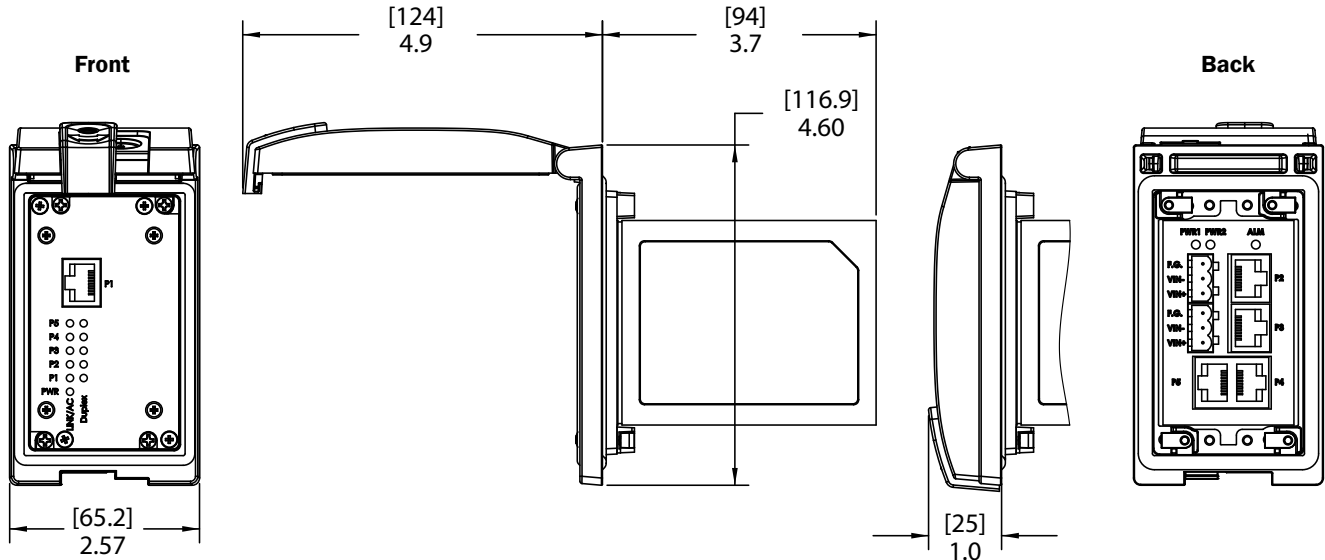


Unmanaged Entry-Level Switches | LP1 Housing | IP65 Rating



Part Number	10/100 RJ45 Ports	Features
LP1-E45UM-5	5	Redundant Power Input

2 Pluggable terminal blocks included

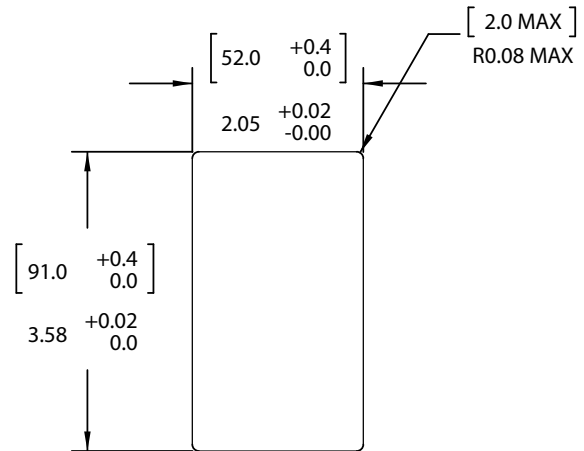


Specifications:

Volts:	9 - 30V
Amps:	0.6A Max
Panel Thickness:	5.0mm Max
Mounting Screw Torque:	0.8 N-m
Terminal Block Torque:	0.5 N-m
Incoming Power Wire Size:	0.25 - 2.5 sq mm/24-12AWG
Wire Strip Length:	7 - 8mm

Housing Materials:

Body:	Nickel Plated Zinc
Gaskets:	PUR FIPG
Front Cover:	Polycarbonate
Latch & Lock:	PBT



Panel Cutout



Panel Interface Connectors

Entry Level Switch



Unmanaged Entry-Level Switches | LP1 Housing | IP65 Rating



Ethernet	
Transmission Rate	10/100Mbps
Total Port	5
10/100Mbps	5
Connector	RJ-45 x 5
Auto MDI/MDI-X	Yes

Power Management	
Input	DC 9 ~ 30V
Connector	Dual 3 pin 5.08mm pitch Terminal block
Consumption	5.4Watts Max

Environmental Limits	
Operating Temperature	-10°C ~ 70°C (14°F ~ 158°F)
Storage Temperature	-40°C ~ 85°C (-40°F ~ 185°F)
Ambient Relative Humidity	5%~95% non-condensing

Regulatory Approvals	
Safety	UL60950-1, CSA C22.2 No.60950-1-03
FCC(EMI)	FCC 47 CFR Part15, Subpart B, Class A ICES-003, Class A ANSI C63.4-2003
CE(EMI)	EN 55022:1988+A1:2000+A2:2003, Class A EN 61000-3-2:2000, Class A EN 61000-3-3: 1995+A1:2001
CE(EMS)	EN 55024:1998+A1:2001+A2:2003 IEC 61000-4-2:2001 IEC 61000-4-3:2002+A1:2002 IEC 61000-4-4:2004 IEC 61000-4-5:2001 IEC 61000-4-6:2003+A1:2004 IEC 61000-4-8:2001 IEC 61000-4-11:2004
Shock	IEC 60068-2-27
Free Fall	IEC 60068-2-32
Vibration	IEC 60068-2-6
RoHS	Lead(Pb) Free
MTBF	455736 hrs(25°C) / 52.02 years(25°C)