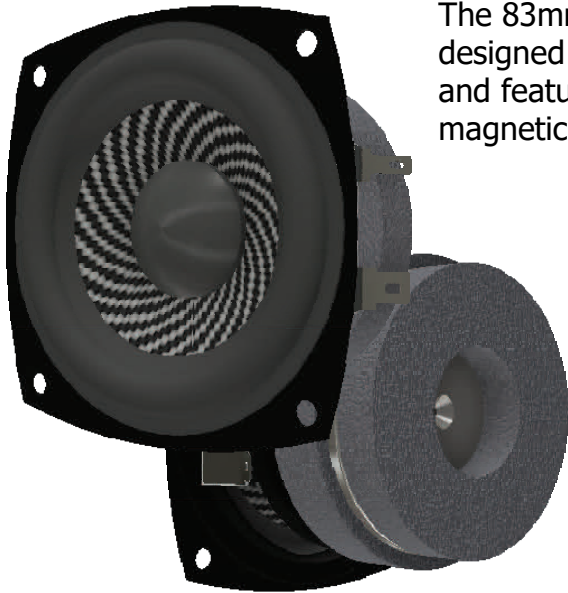


## New High Fidelity Speakers

More than ever before, high quality audio is becoming the determining factor when distinguishing between products and driving sales. When the sound quality of your product is on the line, choose high fidelity speakers from PUI Audio.



The 83mm [AS08304CR-R](#) and [AS08308CR-R](#) speakers are designed for high fidelity audio reproduction, high power handling, and features a magnetically shielded motor to prevent stray magnetic fields — focusing the BL product on the voice coil.

### **Features:**

- Woven glass-fiber cone and rubber surround for weather resistance
- 15W max power handling
- High-energy shielded motor design for maximum sensitivity
- Capable of over 94 dB of output at 1 meter
- Ultra-wide frequency response



The [AS06606SR-R](#) is a small, high-output, silk dome tweeter designed for frequencies above 2 kHz, allowing it to be used for siren applications and can also be used in combination with other speakers for high fidelity applications.

### **Features:**

- Silk dome diaphragm
- 30W max power handling (with 18 dB/octave 2 kHz high-pass filter)
- High-energy shielded motor design with large heatsink
- Capable of over 100 dB of output at 1 meter
- Three screw-hole mounting flange with wave-guide
- Amplifier-friendly 6 ohm impedance