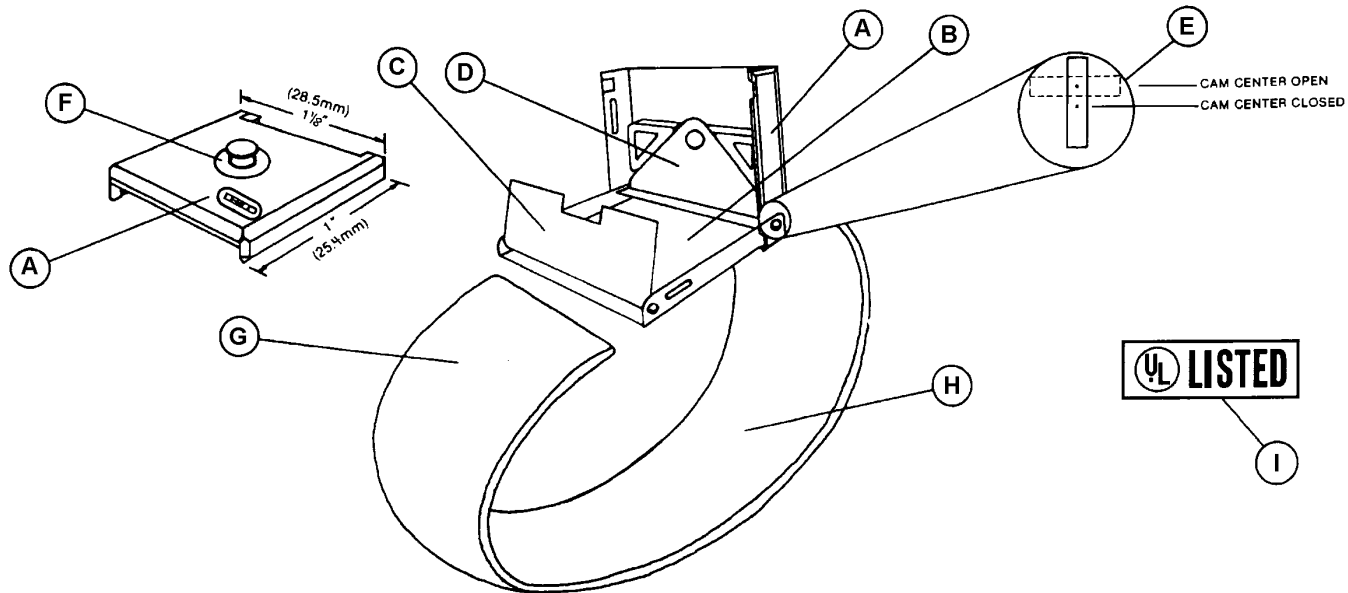




Made in America



- A. Insulating cap, blue ABS plastic.
- B. 300 series stainless steel backplate (0.016" thick). Manufacturing date code is stamped into stainless steel backplate.
- C. Small cam lock, allows material replacement. 300 series stainless steel.
- D. Large cam lock, allows size adjustment, maintains electrical continuity even when open. 300 series stainless steel.

- E. Patented* floating cam lock allows wide opening for easy adjustment and secures material down against base plate when closed.
- F. 4mm snap stud machined from 300 series stainless steel. Fits to 4mm spring loaded medical type socket. Coil cord disengages from snap with 1-5 lbs. of perpendicular force, fulfilling ESD-S1 paragraph 4.1.6 breakaway force requirement. Durable, providing long life well beyond that of sheet metal snaps.
- G. Knit elastic band material of light blue fiber; .875" (22mm) wide and 0.10" (2.5mm) thick. 50 strands of textured polyester, 36 strands of lycra spandex and 14 strands of silver plated Nylon 6 yarn. Outer surface of light blue fibers act as an insulator.
- H. The conductive silver plated Nylon 6 (see G) represents 13.5% of the material by weight. The 14 strands of conductive Nylon are randomly knit on the inner surface of the material and are electrically isolated from the outer surface (blue side).
- I. Underwriters Laboratory listing 90P1C.

Meets or exceeds requirements of ANSI ESD-S20.20 and EOS/ESD-S1-1987.

ITEM	DESCRIPTION	CIRCUMFERENCE		WIDTH
		MIN	MAX	
09028	Band Only	2.5" (63.5mm)	13" (330mm)	.875" (22mm)
09069	Band w/12' Black Cord	2.5" (63.5mm)	13" (330mm)	.875" (22mm)
09070	Band w/6' Black Cord	2.5" (63.5mm)	13" (330mm)	.875" (22mm)
09071	Band w/6' Beige Cord	2.5" (63.5mm)	13" (330mm)	.875" (22mm)
09072	Band w/12' Beige Cord	2.5" (63.5mm)	13" (330mm)	.875" (22mm)
09029	Replacement Strip	2.5" (63.5mm)	13" (330mm)	.875" (22mm)

*U.S. Patent No. 4,662,695

WRISTBAND, ELASTIC, ADJUSTABLE

DESCO

DESCO WEST: 3651 WALNUT AVE., CHINO, CA 91710 WEB SITE: www.desco.com
PHONE (909) 627-8178 FAX (909) 627-7449

DESCO EAST: 90 HUDSON RD, CANTON, MA 02021-1407
PHONE (781) 821-8370 FAX (781) 575-0172

DRAWING NUMBER
09028

DATE:
9/01