

NEW PRODUCT

1500 RZ TERMINAL BLOCK

Bowling Green, OH – April 2, 2025.

Marathon Special Products is thrilled to announce the launch of the groundbreaking 1500 RZ Series Terminal Block. As the flagship line in our terminal block offerings, the 1500 series has already set a benchmark in the industry. Now, we are taking it to the next level with our new thermoplastic RZ series.

The 1500 RZ Series Terminal Block exemplifies our commitment to Quality, Service, and Innovation. Responding to customer feedback, our team at Marathon Special Products engineered a superior solution to the traditional 1500 series.

Durability: Engineered for resilience, the 1500 RZ Series thermoplastic base material boasts a lower scrap rate as it is more durable than the classic 1500 phenolic series.

Sustainability: Made from 100% recyclable materials.

Weight Reduction: The thermoplastic construction significantly reduces the weight of the terminal blocks, which could lower shipping and logistics costs.

Smaller Footprint: Designed with a compact form factor, the 1500 RZ Series could save valuable space in your panels, which could optimize your operations and reduce overall costs.

Temperature Rating: Fully compliant with UL, CSA, and CE standards, the 1500 RZ Series ensures reliable performance within -40°C to 125°C for intended applications.

Material: Thermoplastic (RZ)

Recyclability: 100% recyclable materials

Amperage: 30-75 Amps

Voltage: 600 Volts

Temperature Rating: -40°C to 125°C

Mounting: Panel Mount

Covers: Screw-On or Snap-On Available

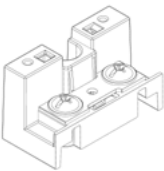
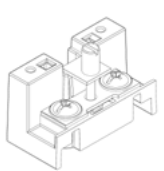
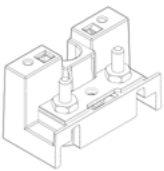
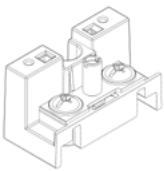
Agency Compliance: UL Recognized, CSA Certified, CE Compliant, and RoHS Compliant.



NEW PRODUCT

1500 RZ TERMINAL BLOCK

The 1500 RZ Series has four series configuration options: SC, ST, STD, and TP. See below for details on each configuration option.

STD	SC	ST	TP
			
Standard Connector	Short Circuiting Bar with Brass Insert, 4 Shorting Pins per Block	10-32 Stud, Terminals	Integrated Test Point for Banana Plugs

Catalog #	# of Poles	A	B
1502	2	2.00	1.63
1503	3	2.63	2.25
1504	4	3.25	2.88
1505	5	3.88	3.50
1506	6	4.50	4.12
1507	7	5.13	4.75
1508	8	5.75	5.38
1509	9	6.38	6.00
1510	10	7.00	6.63
1511	11	7.63	7.25
1512	12	8.25	7.88